

# KNIVES & GROOVERS

We sell a wide variety of machine knives and groovers to the worlds footwear industry, including both flat skiving knives for the USM skiving machine and bell knives to suit the majority of cylinder skiving machines.

In addition, knives are available for use in many areas of the shoe factory for a vast range of operations including folding, trimming, rounding and channelling, heel breasting and thread cutting.

Knives and groovers for Goodyear welted process machines are also available.

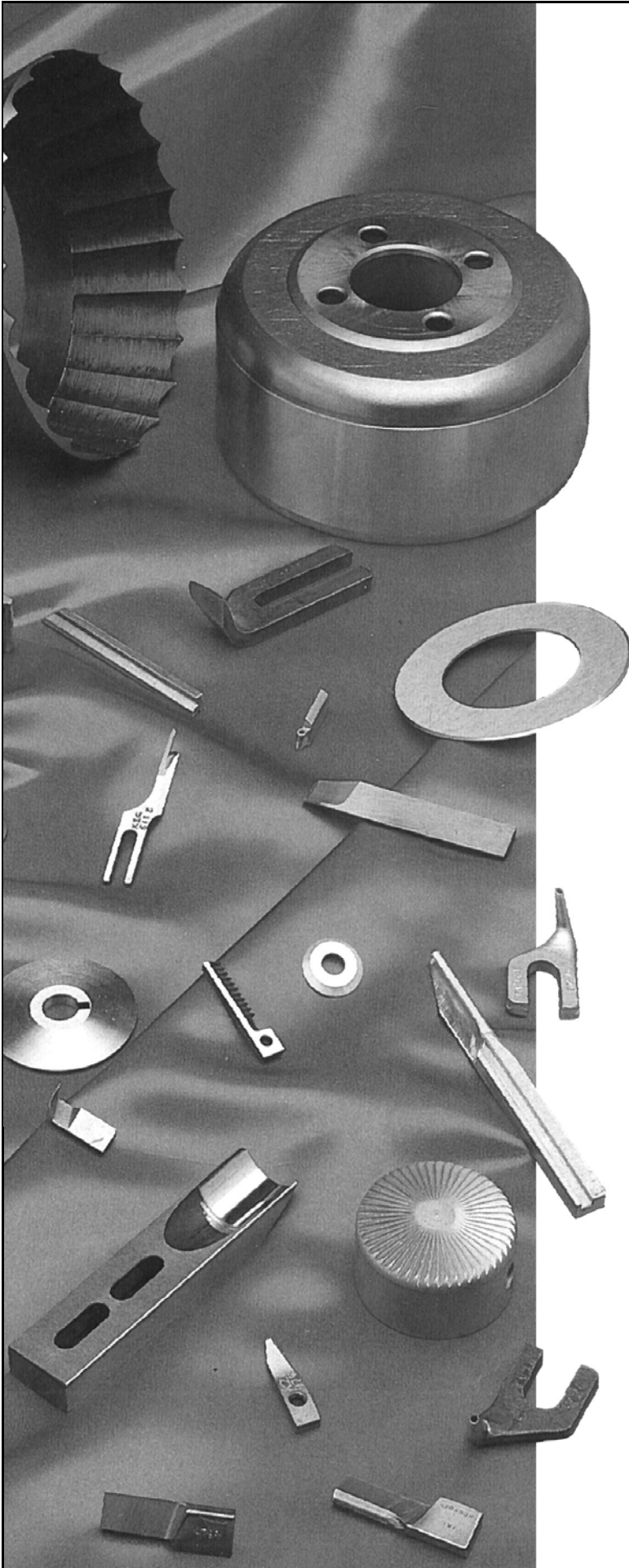
Each product is made to precise specifications and uses high quality steel to ensure high quality results.

On the next few pages, the knives and groovers have been grouped by operation with a concise description and illustration of each product.



**Advent**  
Technologies

Advent House  
37 Church Lane  
Ratby  
Leicester  
United Kingdom  
LE6 06F  
Tel: +44 (0)870 801 0910  
Fax: +44 (0)870 801 0911  
Email: [contact@atlgb.com](mailto:contact@atlgb.com)  
Website: [www.atlgb.com](http://www.atlgb.com)



# KNIVES & GROOVERS

# GRINDSTONES

## Contents


- KNIVES for FOLDING MACHINES .....2
  - Rapid Folding Machine Model J .....2
  - Folding Machine Series 1 & 2 and Cementing & Folding Machine Model F .....2
  - Folding Machine Series 1 & 2 .....2
  
- KNIVES for WELTED SIDE LASTING MACHINES .....2
  - Staple Side Lasting Machine Model B + C .....2
  - Goodyear Welt Inseaming and Side Lasting Machine Models A and B .....2
  
- GROOVERS and KNIVES for ROUNDING and CHANNELING MACHINES .....3
  - Goodyear Universal Channelling and Rounding Machine Model E .....3
  - Heal Seat Rounding Machine No.3 .....3
  - No.6 Planet Sole Rounding Machine .....3
  
- KNIVES for TRIMMING MACHINES .....4
  - No.2 and 3 Upper Trimming Machine .....4
  - Boothco Trimming Machine Model J .....4
  - Rubber Flash Trimming Machine .....4
  - No.6 Boothco Trimming Machine Models B and C .....5
  - Goodyear Inseam Trimming Machine Model C .....5
  
- KNIVES for FLAT and CYLINDER SKIVING MACHINES .....6
  - All Cylinder Knife skiving machines .....6
  - Marvel and No.9 Upper Skiving Machine .....6
  
- MISCELLANEOUS KNIVES .....7
  - Insole Tacking Machine Model A .....7
  - No.2 Strap Cutting Machine .....7
  - Goodyear Welt Butting and Tacking Machine Model B .....7
  - No.9 and 10 Goodyear Sole Stitching Machine .....7
  - Rapid Standard Screw Machine .....7
  - No.8 Taping Machine .....7
  - BANDKNIVES .....7

**If you require any further information about these products, please contact us. See details at the front of this booklet.**


## KNIVES & GROOVERS

### KNIVES for FOLDING MACHINES


#### Rapid Folding Machine Model J

Description	Illustration	Product Code
Snipping knife.		KZG-474E

#### Folding Machine Series 1 & 2 and Cementing & Folding Machine Model F

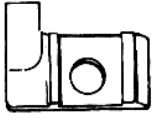
Description	Illustration	Product Code
Snipping knife.		KZG-TCF-1109E-B

#### Folding Machine Series 1 & 2

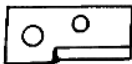
Description	Illustration	Product Code
Counter blade.		KZG-UMF-2362

### KNIVES for WELTED SIDE LASTING MACHINES

#### Staple Side Lasting Machine Model B + C

Description	Illustration	Product Code
Wire cutting knife.		KZG-470E




#### Goodyear Welt Inseaming and Side Lasting Machine Models A and B

Description	Illustration	Product Code
Thread cutting knife.		KZG-477E


# KNIVES & GROOVERS

## GROOVERS and KNIVES for ROUNDING and CHANNELING MACHINES



### Goodyear Universal Channelling and Rounding Machine Model E

Description	Illustration	Product Code
3/16" long blade to cut 10° channel (4.76mm).		KZG-362E-10
0.082" diameter groover (2.08mm).		KZG-2270B-45
0.076" diameter groover (1.93mm).		KZG-2270B-48
0.067" diameter groover (1.70mm).		KZG-2270B-51
0.055" diameter groover (1.40mm).		KZG-2270B-54
Rounding knife.		KZG-27

### Heal Seat Rounding Machine No.3

Description	Illustration	Product Code
Rounding knife.		KZG-30E


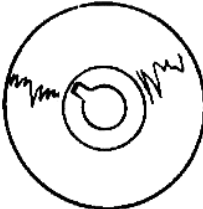
### No.6 Planet Sole Rounding Machine

Description	Illustration	Product Code
Rounding knife for outsoles.		KZG-479R
Knife for heavy outsoles.		KZG-498R




## KNIVES & GROOVERS

### KNIVES for TRIMMING MACHINES


#### No.2 and 3 Upper Trimming Machine

Description	Illustration	Product Code
Front circular knife.		KZG-120E
Rear circular knife.		KZG-121E

#### Boothco Trimming Machine Model J

Description	Illustration	Product Code
Regular trimming knife.		KZG-517E
Rubber flash trimming knife.		KZG-518E
Lower knife.		KZG-334E




#### Rubber Flash Trimming Machine

Description	Illustration	Product Code
Curved rubber trimming knife.		KZG-532E

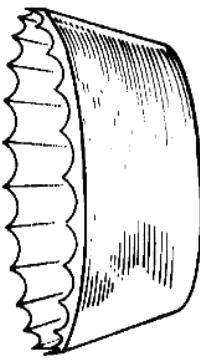
## KNIVES & GROOVERS

### KNIVES for TRIMMING MACHINES

#### No.6 Boothco Trimming Machine Models B and C

Description	Illustration	Product Code
Upper knife.		KZG-519E
Workshear knife.		KZG-543E
Lower knife.		KZG-1076

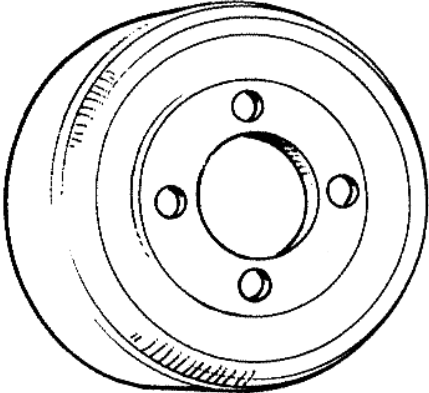
#### Goodyear Inseam Trimming Machine Model C

Description	Illustration	Product Code
Trimming knife.		KZG-1192

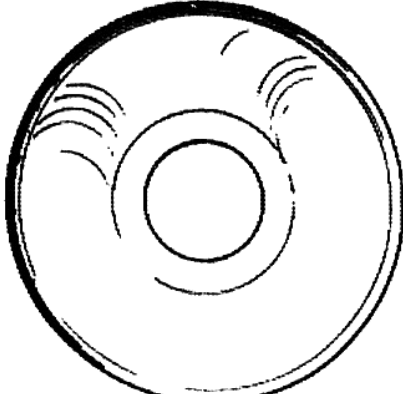
## KNIVES & GROOVERS

### KNIVES for FLAT and CYLINDER SKIVING MACHINES

#### All Cylinder Knife skiving machines

Description	Illustration	Product Code
Bell skiving knife.		KZG-88-BELLKNIFE

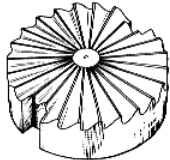
#### Marvel and No.9 Upper Skiving Machine

Description	Illustration	Product Code
Flat skiving knife.		KZG-447E

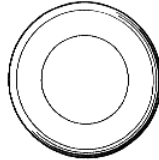
## KNIVES & GROOVERS

### MISCELLANEOUS KNIVES

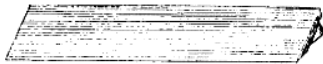
#### Insole Tacking Machine Model A

Description	Illustration	Product Code
Tack cutting knife.		KZG-183E


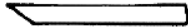
#### No.2 Strap Cutting Machine

Description	Illustration	Product Code
Circular knife.		KZG-330E



#### Goodyear Welt Butting and Tacking Machine Model B

Description	Illustration	Product Code
Welt butting knife.		KZG-1032

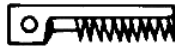
#### No.9 and 10 Goodyear Sole Stitching Machine

Description	Illustration	Product Code
Fudging knife.		KZG-445E
Sole slitting knife.		KZG-487E

#### Rapid Standard Screw Machine

Description	Illustration	Product Code
Right hand knife.		KZG-278
Left hand knife.		KZG-279

#### No.8 Taping Machine

Description	Illustration	Product Code
Tape cutting knife.		KZG-515E

### BANDKNIVES

Bandknives are available upon request. Simply advise the dimensions you require, (length, width and thickness) and we will advise price and delivery details.